

- ▣ DUAL TEMPERATURE SENSOR INPUTS
- ▣ 4 DIGIT LED DISPLAY IN DEGREE C OR F
- ▣ RUGGED NEMA 4X ENCLOSURE
- ▣ CHOICE OF COPPER-FREE ALUMINUM OR SS316 DUAL COMPARTMENT ENCLOSURE
- ▣ EXPLOSION PROOF CERTIFIED
- ▣ INDEPENDENT SET-POINTS, TEMPERATURE HYSTERESIS & DEADBAND ADJUSTMENTS
- ▣ IDEAL FOR TEMP ON/OFF CONTROL & HIGH OR LOW TEMP SHUT DOWN



Introduction

IME Model 8080PR3 allows 2 independent alarms to be assigned over the temperature range of the sensor. The unit will accept an input from two Pt100 RTD Sensor and provide an indication of either channel on a bright 4 digit LED. The unit serves a dual purpose since in addition to local indication of temperature, which is switch selectable to read Deg F or Deg C, it also serves as an accurate and repeatable temperature switch.

Description

IME Model 8080PR3 Temperature Indicator is designed for use in process industries where vibration, inclement weather and corrosive atmospheres prevail. The electronics are enclosed in a copper-free epoxy coated Aluminum housing. For more aggressive environments, a SS316 housing is also available. The housings meet the requirements of NEMA 4X, and are also certified Explosion Proof by CSA and ATEX/IECEX.




LED Meter

Model 8080PR3 has a 4 digit LED display. Choice of °C or °F, alarm settings etc can be adjusted via the membrane switches located in the front panel.

Mounting

A wide choice of stainless steel mounting brackets are available for mounting the Model 8080PR3 on either a 2" pipe or wall. (See detailed information of mounting bracket on pages 18,19 and 20)

Certification System

	CLASS I, DIV I GROUPS B, C AND D CLASS II/III, DIV I GROUPS E, F AND G NEMA 4X, T6
	II 2G D Ex d IIC T6 Gb Ex tb IIIC T85°C Db IP68 Ta = -40°C to +60°C
	Ex d IIC T6 Gb Ex tb IIIC T85°C Db IP68 Ta = -40°C to +60°C

Functional Specifications

Indication Accuracy

0.1% of Calibrated range +/- 1 digit

Alarm Status Indication

LED on front panel

Alarm Set Point Accuracy

±0.5% of full scale.

Alarm Output

2 sets SPDT, 1 from C, rated 5A @ 230V AC, 50/60Hz
Heating/ Cooling Control - Relay 1/2 – On/Off only via Deadband

Display Height

10.0 mm (0.4") high

Input

Dual Input, RTD Pt100

Supply Voltage

12 ~ 28 VDC

Operating Temperature

-40 - 60 °C

Weight

1.6Kg (3.5LBS) for Aluminum unit and 3.0Kg(6.4LBS) for SS316 Unit

Material of Construction

Enclosure epoxy coated Copper-Free Aluminum or SS316 as specified

O Rings

Nitrile

Optional Accessories

Mounting Brackets (Model 175PM, 175RC, 175NR & 175MM)
See pages 18,19 and 20

Warranty

3 Years Warranty

Ordering Information

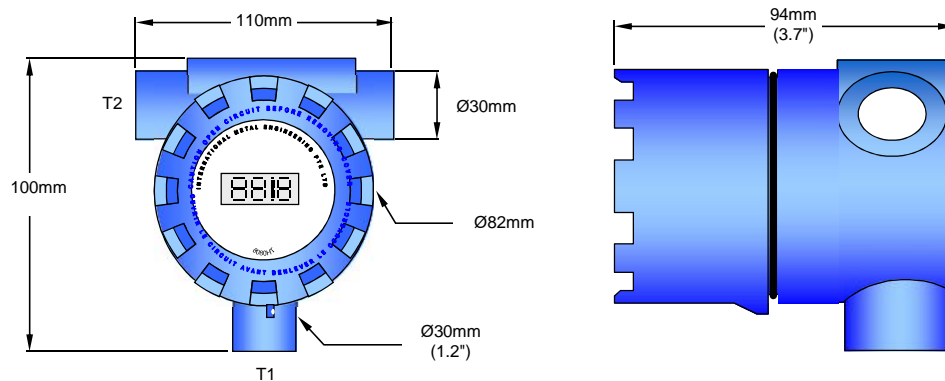
See page 17 for complete ordering information.

ORDERING INFORMATION FOR INDICATORS AND TRANSMITTERS

Model	Description
8080PP	Field Mounted LCD Loop Powered Indicator
8080MK	Field Mounted LED Loop Powered Indicator
8080EL	Field Mounted LCD Loop Powered Indicator With Engineering Units
8080MN	Field Mounted Process Indicator with Transducer Power Supply
8080KN	Battery Powered Digital Temperature Indicator
8080HT	Indicating Temperature Transmitter with HART®
8080RR	Field Mounted Process Indicator With Dual Relays
8080PR	Temperature Indicating Switch With Dual Relays
8080PR1	Field Mounted Temperature Indicator with Dual Relays and 4- 20 mA Output
8080PR2	Field Mounted Temperature Indicator with Dual Relays and 4 to 20 mA PID Control Output
8080PR3	Field Mounted Dual Channel Indicating Temperature Switch
8080FR	Field Mounted Flow Indicator With Dual Relays
	Code Options, Housing
	A Die cast Aluminum, Epoxy Coated
	T SS316, Electro Polished
	Code Instrument Connection (T1) Conduit Size (T2)
	01 M16 x 2P (See note 1) ¼" NPT
	02 M16 x 2P (See note 1) ½" NPT
	03 M16 x 2P (See note 1) M20 x 1.5P (See note 2)
	04 ½" NPT ¾" NPT
	05 ½" NPT ½" NPT
	06 ½" NPT M20 x 1.5P
	07 ¾" NPT ¾" NPT
	08 ¾" NPT ½" NPT
	09 ¾" NPT M20 x 1.5P
	10 ½" BSP (See note 3) ¾" NPT
	11 ½" BSP (See note 3) ½" NPT
	12 ½" BSP (See note 3) M20 x 1.5P (See note 2)
	13 ¾" NPT None
	14 M20 x 1.5P (See note 2) None
	16 ½" BSP (See note 3) None
	17 ½" NPT None
	Code Certification
	NN None
	E1 FM / CSA / ATEX / IECEx Explosion Proof Certified, NEMA 4X, IP68, T6
	Code Accessories (See Pages 18, 19 and 20)
	RC Model 175RC Mounting Bracket
	PM Model 175PM Mounting Bracket
	NR Model 175NR Mounting Bracket
	MM Model 175MM Mounting Bracket
	Code 2 Inch "U" Bolt with Nuts and Washers
	00 None
	01 Model 17508, 1 Set (For Model 175RC)
	02 Model 17508, 2 Sets (For Model 175PM & 175NR)
8080PR	A 02 E1 PM 02 ← Typical Model Number

Note:

- 1 Ports with M16 x 2P thread are not through holes, they are for Mounting only.
- 2 A temporary metric label is required when an M20 x 1.5P thread is selected. However this thread option is not allowed in Canada.
- 3 1/2"BSP thread is not FM Approved.



STAINLESS STEEL MOUNTING BRACKET FOR FIELD DEVICES

Mounting Bracket

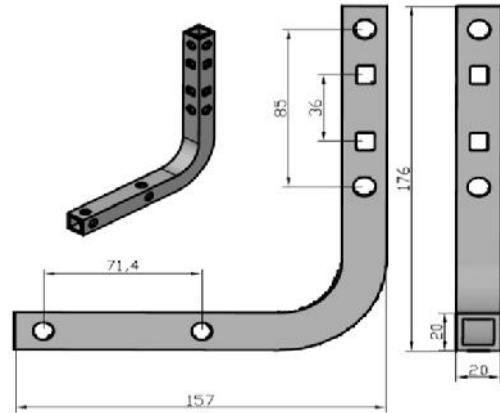
175RC

Introduction

This simple hollow square mounting bracket constructed out of SS316 Stainless Steel, can be used to mount a variety of field devices, either on a wall or panel or a 2" Pipe.

When mounting on a 2" pipe, a "U" Bolt is required, which can be supplied optionally.

IME Model 17508 consists of a complete assembly of a 2" U bolt along with the nuts and washers required.



Mounting Bracket

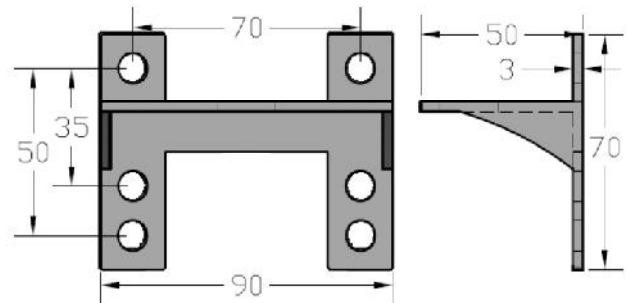
175PM

Introduction

This simple "L" Shape mounting bracket constructed out of SS316 Stainless Steel, can be used to mount a variety of field devices, either on a wall or panel or on a 2" pipe.

When mounting on a 2" pipe, a "U" Bolt is required, which can be supplied optionally.

IME Model 17508 consists of a complete assembly of a 2" U bolt along with the nuts and washers required.



Mounting Bracket

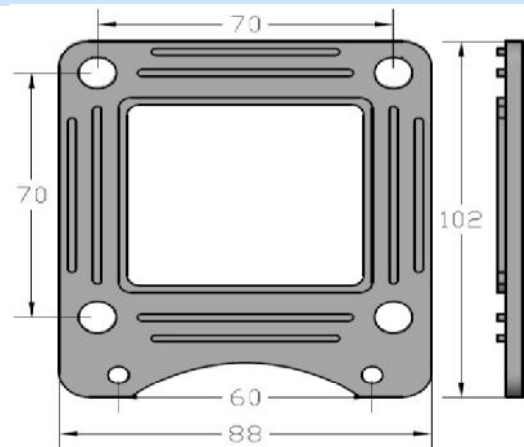
175NR

Introduction

IME MODEL 175NR is Stainless Steel Mounting Brackets made exclusively for IME MODEL 8080 Instrument Enclosure to mount on a 2" Pipe.

This Bracket is available for customers who require all 3 ports on the enclosure for other purposes.

The 175NR is symmetrical, so it can be rotated 90° to suit the viewing position of the Indicator/Transmitter.



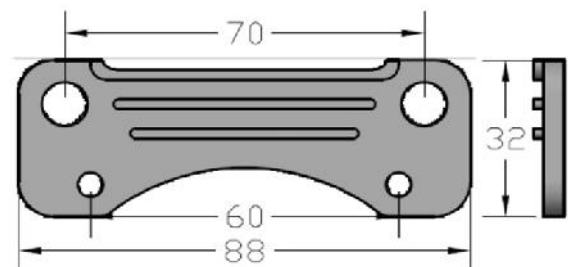
Mounting Bracket

175MM

Introduction

IME MODEL 175MM is Stainless Steel Mounting Brackets made exclusively for IME MODEL 8080 Instrument Enclosure to mount on wall.

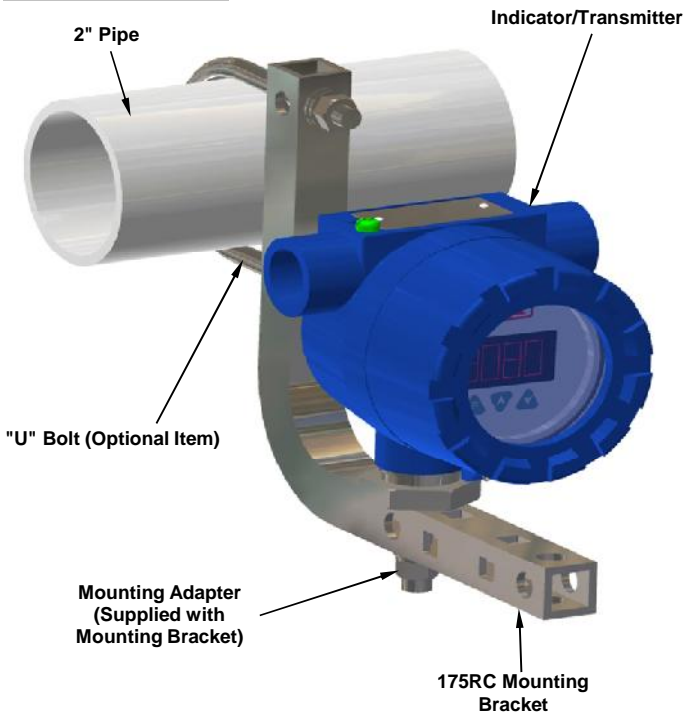
This low cost Bracket is available for customers who require all 3 ports on the enclosure for other purposes.



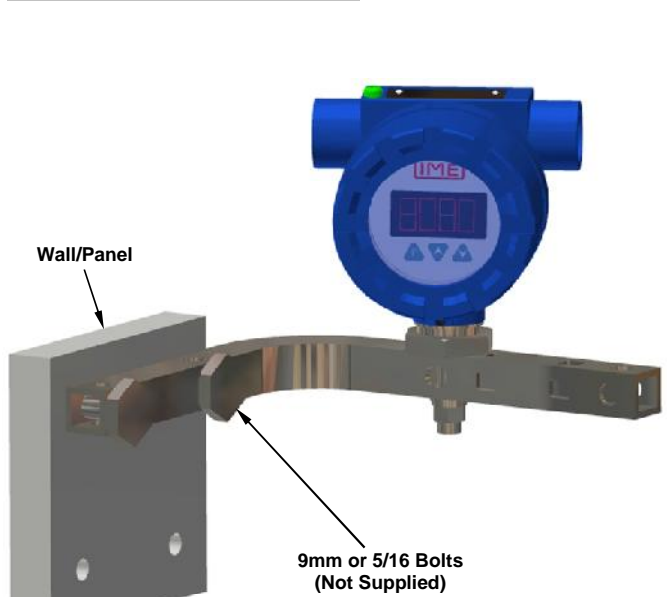
MOUNTING BRACKETS FOR INDICATORS AND TRANSMITTERS

Mounting Methods For Model 175RC

Pipe Mounting

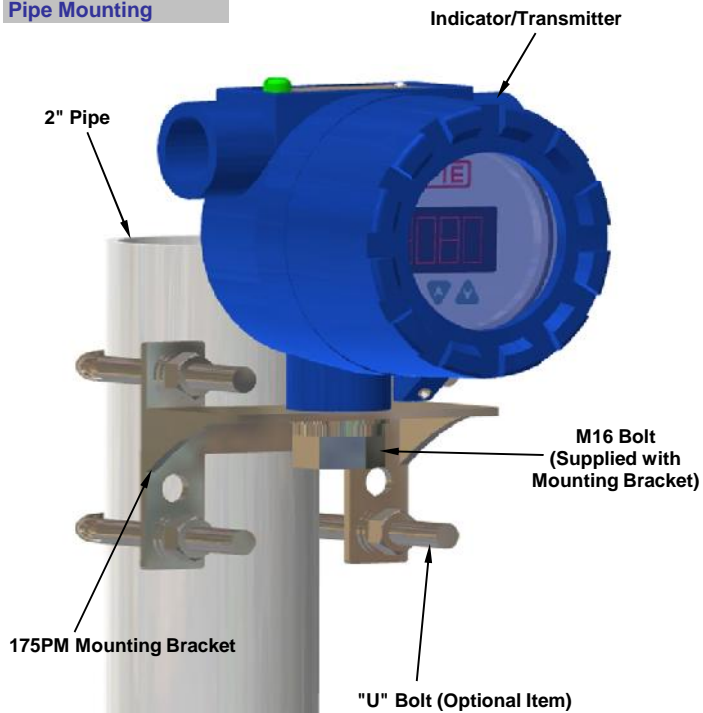


Wall / Panel Mounting

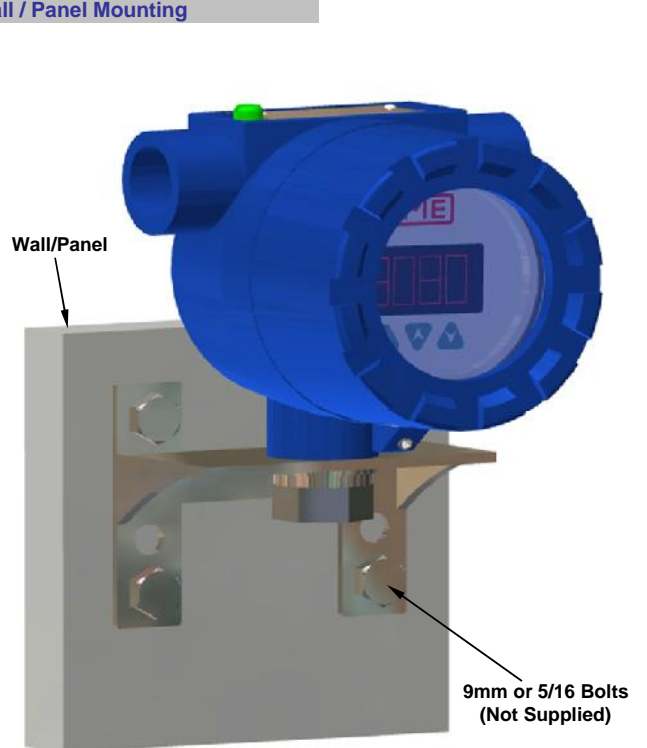


Mounting Methods For Model 175PM

Pipe Mounting



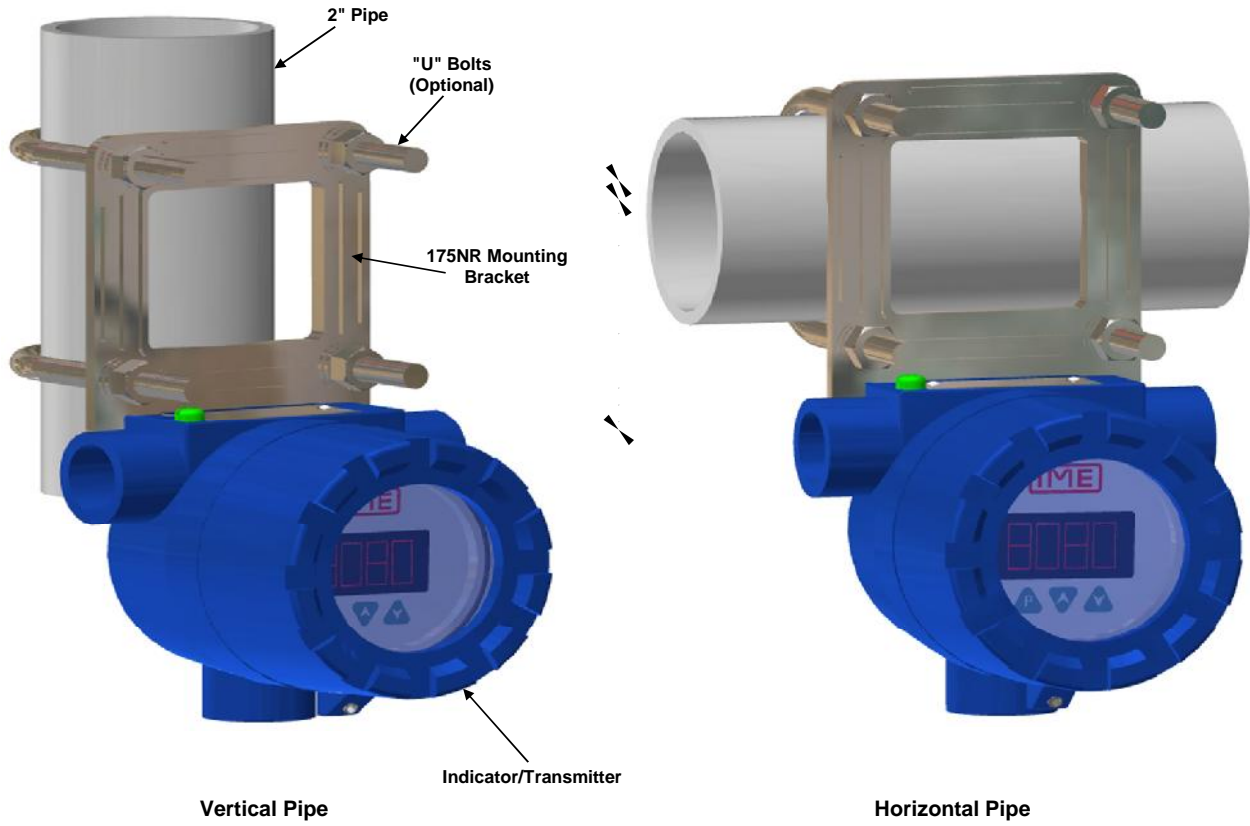
Wall / Panel Mounting



MOUNTING BRACKETS FOR INDICATORS AND TRANSMITTERS

Mounting Methods For Model 175NR

Pipe Mounting



Mounting Methods For Model 175MM

Wall/Panel Mounting

