

FIELD MOUNTED 2 WIRE PRESSURE TRANSMITTER

8080PA

- HIGH ACCURACY
- 4 : 1 RANGEABILITY
- PRESSURE RANGE OF 0.025 BAR (10" H2O) TO 700 BAR (10,000 PSIG)
- 4 DIGIT LCD DISPLAY IN ENGINEERING UNITS
- CHOICE OF COPPER-FREE ALUMINUM OR SS316 ENCLOSURE
- EXPLOSION PROOF CERTIFIED
- REMOTE MOUNT SENSOR FROM ENCLOSURE
- 3 YEAR WARRANTY

Introduction

IME Model 8080PA is a field mounted, 2 wire transmitter with a 4 digit LED display and a 4 : 1 adjustability. The 8080PA is designed to cover a wide range of level and pressure measurement and can be adjusted as low as 0.025 Bar (10" H2O) and up to a maximum of 700 Bar (10,000 PSIG).

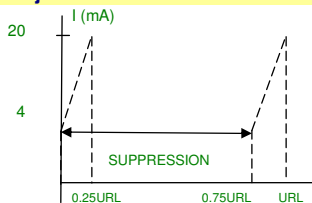
Description

IME Model 8080PA Transmitter is designed for use in process industries where vibration, inclement weather and corrosive atmospheres prevail. The only material that is exposed to the process liquid is SS316. The Electronics are enclosed in a low copper epoxy coated Aluminum housing. For more aggressive environments, a SS316 housing is optionally available. The housings meet the requirements of NEMA4X, and are also certified Explosion Proof by FM and CSA. The output current is linearised and can be set to 4-20mA/ 20-4mA or any range within these limit. The unit updates 3 times per second for display and 4 times per second for the output. The sensor can be remotely mounted up to 10 meters(30 feet) from the Enclosure

Mounting




The Model 8080PA can be either remotely mounted or mounted directly. For mounting the unit on a wall or 2" pipe, a wide choice of stainless steel mounting brackets are also available.

Zero Adjustment Limits



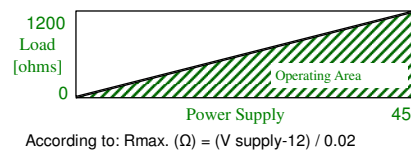
Calibrated Span shall not be less than 0.25URL and shall not exceed URL.
 Low Range Value shall not be below -URL
 Upper Range Value shall not be greater than URL

Certification System

	II 2G D Ex d IIC T6 Gb Ex tb IIIC T85°C Db IP68 Ta = -40°C to +60°C	
		



Load Limitation



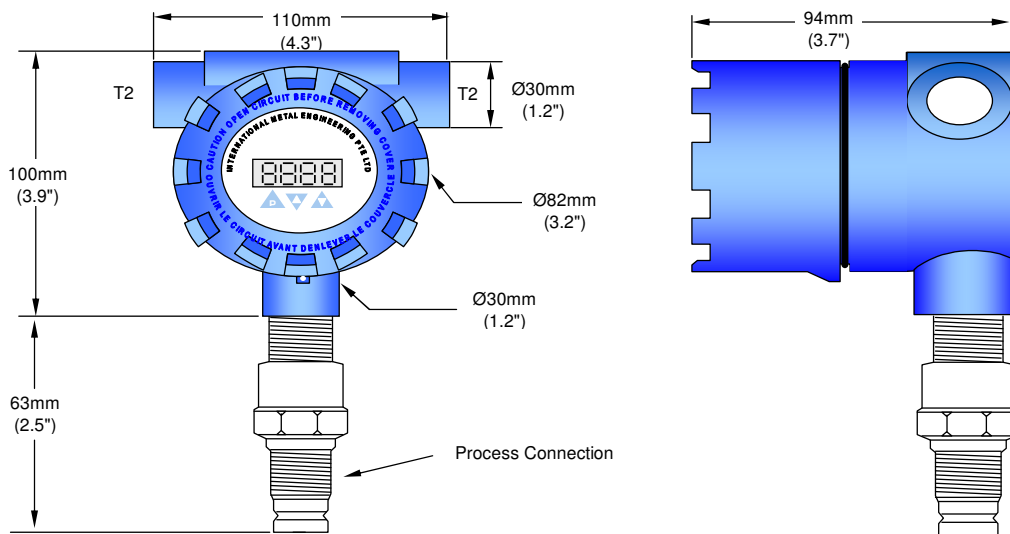
Functional Specifications

- Process Fluid**
Liquid, Gas and Vapor
- Output Signal**
4~20 mA DC
- Power Supply**
9 to 45 VDC
- Zero, Span Adjustment & Configuration**
Local Adjustment using Membrane Switches
- Turn On Time**
<5s
- Temperature Limits**
Process: -50°C to +125°C
Ambient: -50°C to +75°C
- Indication Accuracy**
± 0.25% Full Scale, includes effects of non-linearity, hysteresis and repeatability
- Stability**
± 0.2% Full Scale Output for 12 months
- Temperature Effect**
± 0.02% Full Scale Output per 20° C
- Material of Construction of Enclosure**
Epoxy coated Copper-Free Aluminum or SS316 as specified
- O Rings**
Buna N (Nitrile)
- Optional Accessories**
Mounting Brackets (Model 175NR & 175MM)

ORDERING INFORMATION FOR 8080PA

Model	Description		
8080PA	Field Mounted 2 Wire Pressure Transmitter		
	Code	Options, Housing	
	A	Die cast Aluminum, Epoxy Coated	
	T	SS316, Electro Polished	
	Code	Instrument Connection (T1)	Conduit Size (T2)
	04	1/2" NPT	3/4" NPT
	05	1/2" NPT	1/2" NPT
	06	1/2" NPT	M20 x 1.5P
	Code	Range	
	R1	0.025 to 0.1 Bar (10 to 40 inches H2O)	
	R2	0.05 to 0.2 Bar (20 to 80 inches H2O)	
	R3	0.1 to 0.4 Bar (40 to 160 inches H2O)	
	R4	0.2 to 0.8 Bar (3 to 12 PSIG)	
	R5	0.4 to 1.6 Bar (6 to 24 PSIG)	
	R6	1.25 to 5 Bar (18 to 72 PSIG)	
	R7	2.5 to 10 Bar (35 to 140 PSIG)	
	R8	5 to 20 Bar (70 to 280 PSIG)	
	R9	12.5 to 50 Bar (180 to 725 PSIG)	
	R0	25 to 100 Bar (360 to 1450 PSIG)	
	R11	62.5 to 250 Bar (900 to 3600 PSIG)	
	R12	100 to 400 Bar (1450 to 5800 PSIG)	
	R13	175 to 700 Bar (2500 to 10000 PSIG)	
	Code	Certification	
	NN	None	
	E1	ATEX / IECEx Explosion Proof Certified, IP68, T6	
	Code	Accessories	
	NR	Model 175NR Mounting Bracket	
	MM	Model 175MM Mounting Bracket	
	Code	2 Inch "U" Bolt with Nuts and Washers	
	00	None	
	02	Model 17508, 2 Sets (For Model 175NR)	

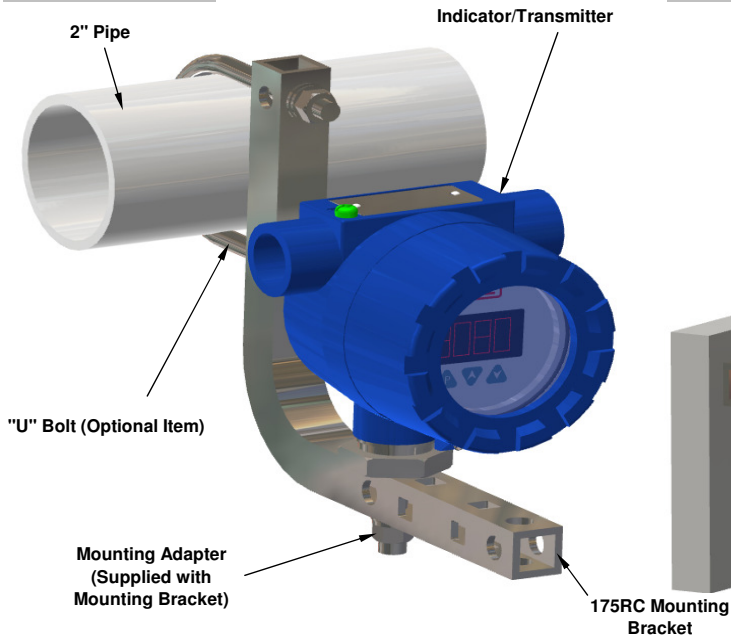
8080PA	A	04	R3	E1	NR	02	← Typical Model Number
--------	---	----	----	----	----	----	------------------------



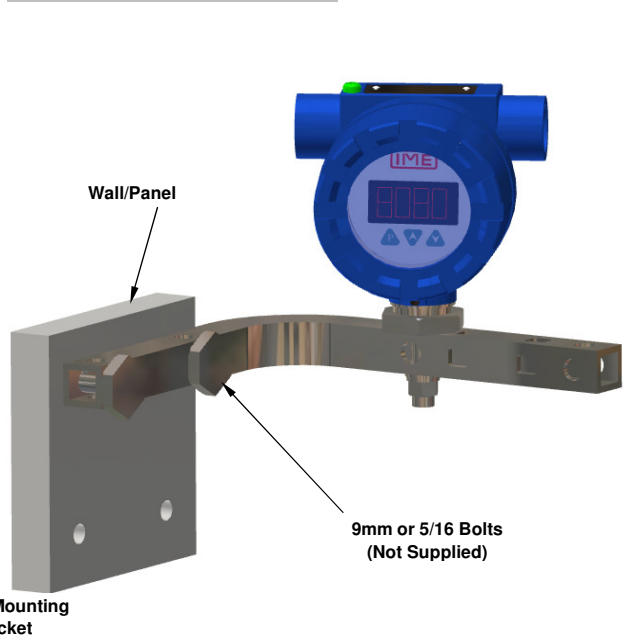
MOUNTING BRACKETS FOR INDICATORS AND TRANSMITTERS

Mounting Methods For Model 175RC

Pipe Mounting

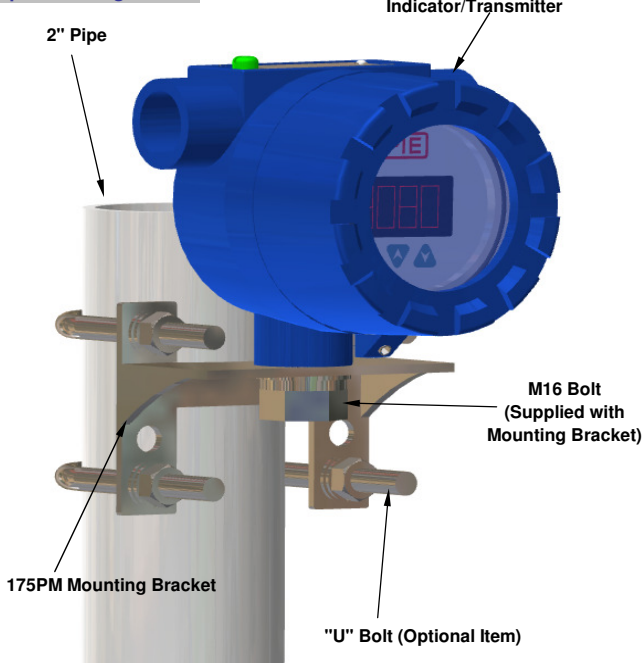


Wall / Panel Mounting

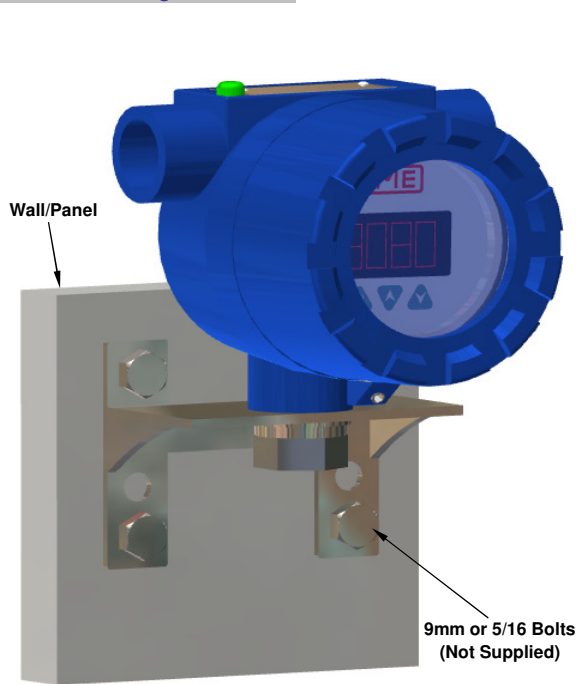


Mounting Methods For Model 175PM

Pipe Mounting



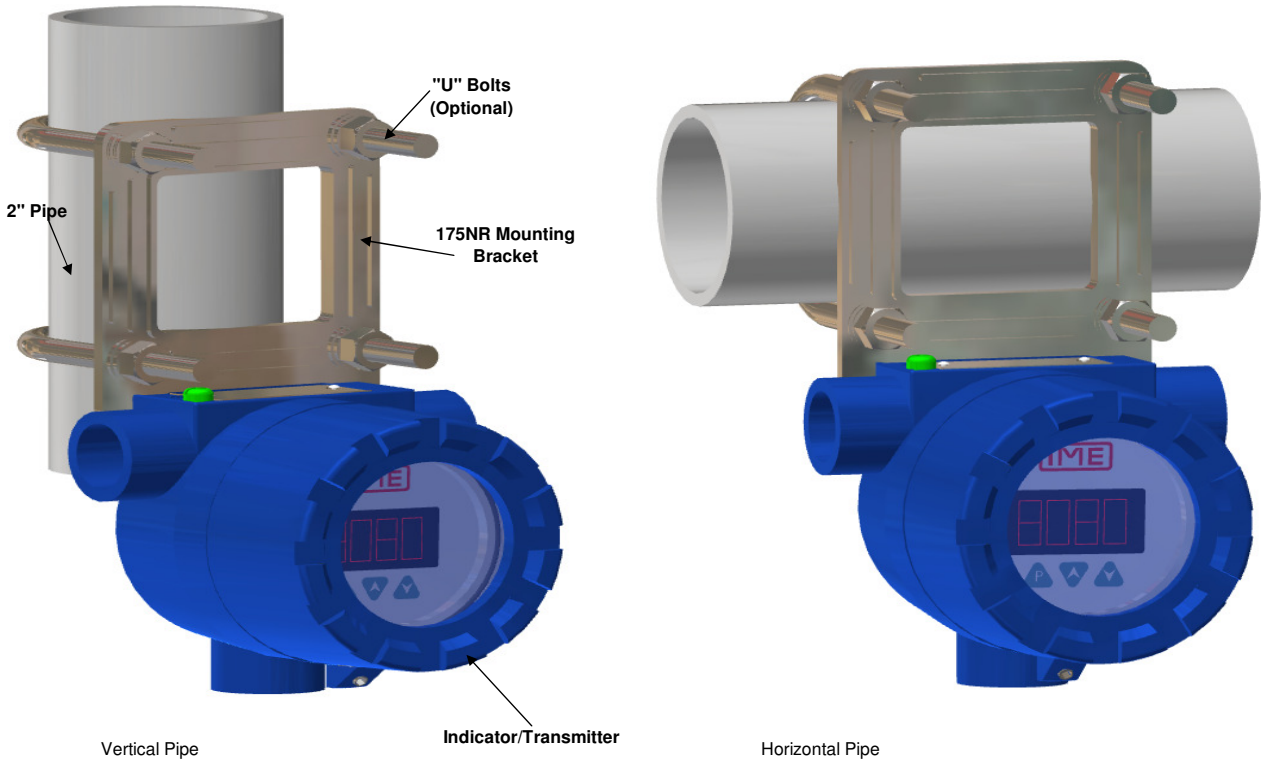
Wall / Panel Mounting



MOUNTING BRACKETS FOR INDICATORS AND TRANSMITTERS

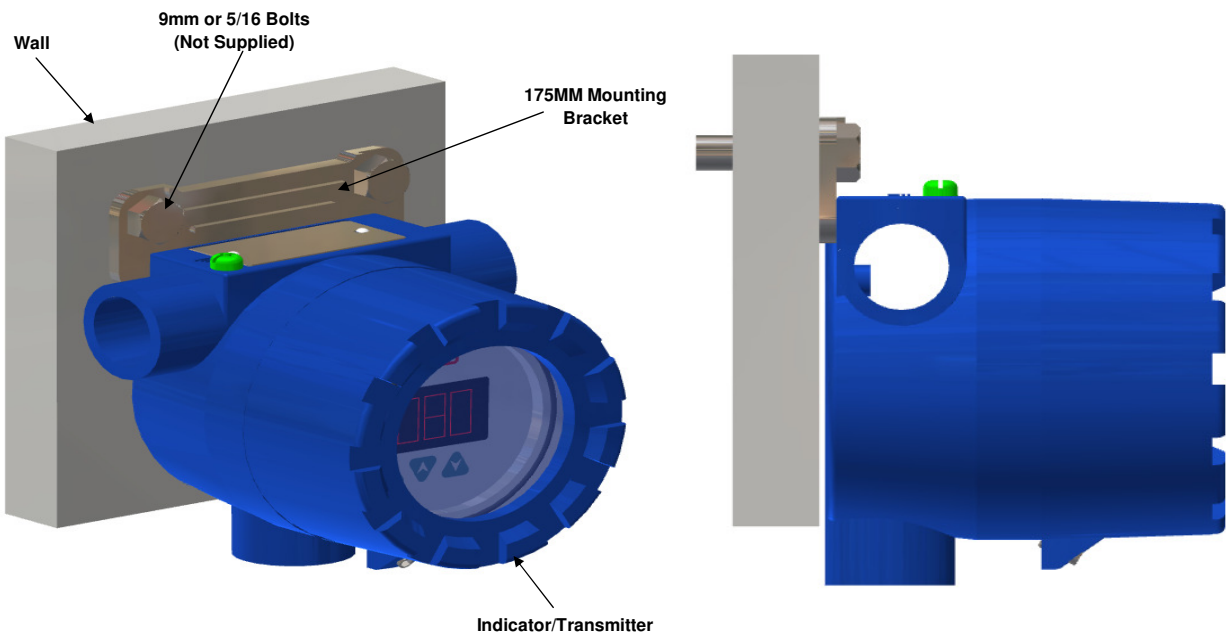
Mounting Methods For Model 175NR

Pipe Mounting



Mounting Methods For Model 175MM

Wall/Panel Mounting



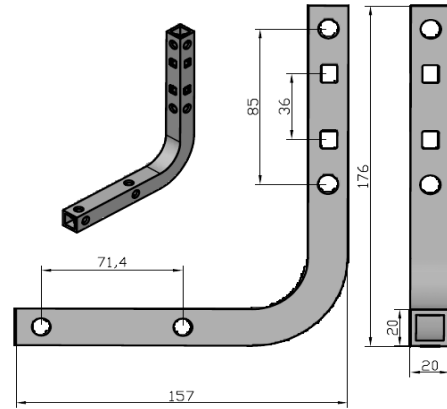
Mounting Bracket

175RC

Introduction

This simple hollow square mounting bracket constructed out of SS316 Stainless Steel, can be used to mount a variety of field devices, either on a wall or panel or a 2" Pipe.

When mounting on a 2" pipe, a "U" Bolt is required, which can be supplied optionally.
 IME Model 17508 consists of a complete assembly of a 2" U bolt along with the nuts and washers required.



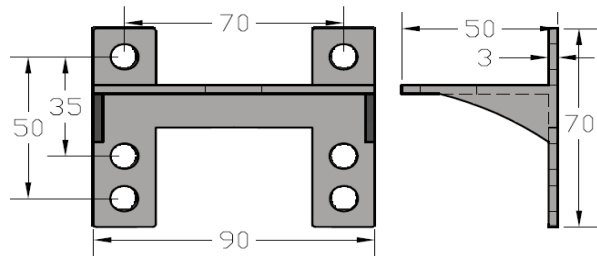
Mounting Bracket

175PM

Introduction

This simple "L" Shape mounting bracket constructed out of SS316 Stainless Steel, can be used to mount a variety of field devices, either on a wall or panel or on a 2" pipe.

When mounting on a 2" pipe, a "U" Bolt is required, which can be supplied optionally.
 IME Model 17508 consists of a complete assembly of a 2" U bolt along with the nuts and washers required.



Mounting Bracket

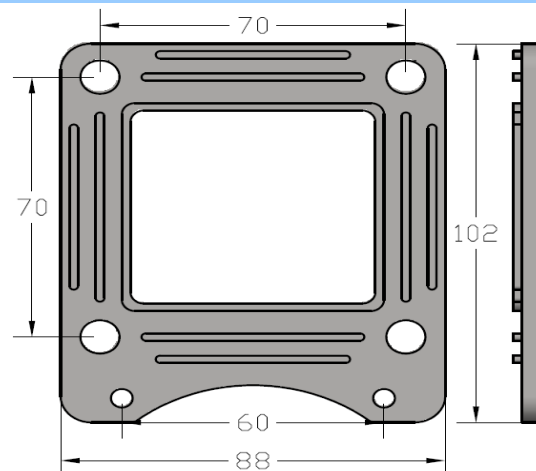
175NR

Introduction

IME MODEL 175NR is Stainless Steel Mounting Brackets made exclusively for IME MODEL 8080 Instrument Enclosure to mount on a 2" Pipe.

This Bracket is available for customers who require all 3 ports on the enclosure for other purposes.

The 175NR is symmetrical, so it can be rotated 90° to suit the viewing position of the Indicator/Transmitter.



Mounting Bracket

175MM

Introduction

IME MODEL 175MM is Stainless Steel Mounting Brackets made exclusively for IME MODEL 8080 Instrument Enclosure to mount on wall.

This low cost Bracket is available for customers who require all 3 ports on the enclosure for other purposes.

