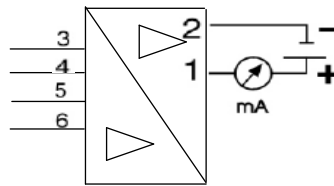


HEAD MOUNTED TEMPERATURE TRANSMITTER

8070HN

- 2 WIRE, 4 TO 20mA ANALOG OUTPUT
- HIGH ACCURACY IN TOTAL AMBIENT TEMPERATURE RANGE
- AN INTERNAL TEMPERATURE SENSOR FOR ACTIVE TEMPERATURE COMPENSATION (FOR T/C)
- 3 YEAR WARRANTY



INPUT	TYPE
Resistance Thermometer (RTD)	Pt 100, Cu 50, Cu 100
Resistance Transmitter	0 to 400 Ω
Voltage Transmitter (mV)	-10 to 75mV
Thermocouple Types	B,E,J,K,N,R,S and T

OUTPUT	
Output Signal	4 to 20 mA
Under Range	Linear Drop to 3.8mA
Over Range	Linear Rise to 20.8mA
Sensor Breakage	< 3.8mA
Load	Max. (V _{power supply} - 7.5 V) / 0.0208A

POWER SUPPLY	
Supply Voltage	7.5 to 45 VDC, Polarity Protected

SPECIFICATION	
Response time	1s
Reference Operation Conditions	Calibration temperature: 23°C (75°F)
Long Term Stability	≤0.05% / Year
Influence of ambient Temperature	Negligible
Load Influence	Negligible
Power Supply Influence	Negligible
Ambient Temperature Limits	-40°C to 85 °C
Ingress Protection	IP 68 when installed in a 1080 or 8080 Enclosure
Dimensions	Dia. 44mm x 22.5 mm
Mounting	Fits in any standard thermocouple head

Optional

Explosion Proof Thermocouple Heads that can be used to mount the 8070HN Temperature Transmitter inside is optionally available. The electronics can be enclosed in a copper-free epoxy coated Aluminum housing and for more aggressive environments, a SS316 housing is optionally available. The housing meets the requirements of NEMA 4X / IP68, and are certified Explosion Proof by ATEX/IECEX.

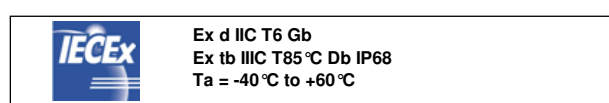
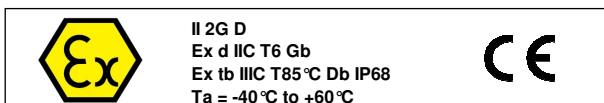
TEMPERATURE TRANSMITTER ENCLOSURE

8080HN

IME Model 8080HN is an Explosion Proof Temperature Transmitter Enclosure with IME Model 8070HN Temperature Transmitter Unit inside. The housing comes with solid cover and it can be copper-free epoxy coated Aluminum or SS316 for more aggressive environments. The housing meets the requirements of NEMA 4X / IP68. The whole Assembly is certified Explosion Proof by ATEX / IECEx.



Certification System



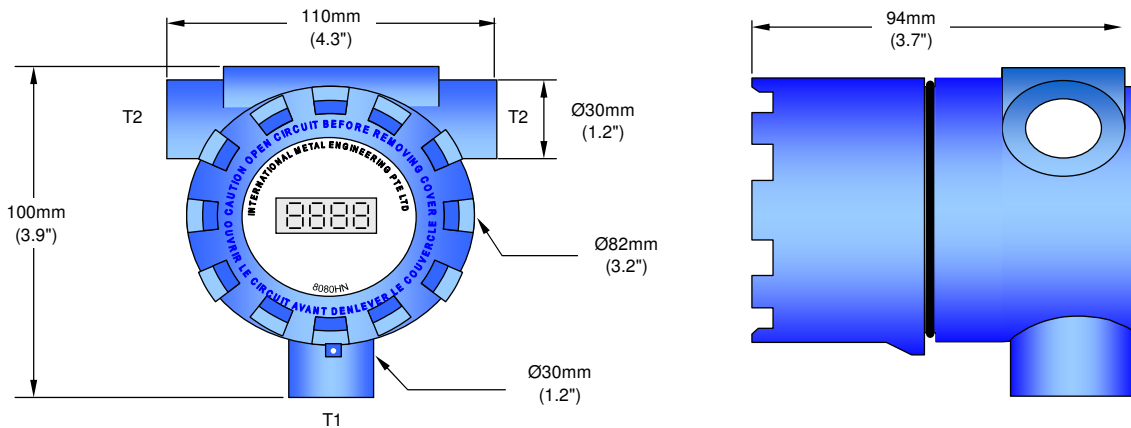
INTERNATIONAL METAL ENGINEERING

ORDERING INFORMATION FOR 8080HN

Model	Description					
8080HN	Temperature Transmitter Enclosure					
	Code	Options, Housing				
	A	Die cast Aluminum, Epoxy Coated				
	T	SS316, Electro Polished				
	Code	Instrument Connection (T1)	Conduit Size (T2)			
	01	M16 x 2P (See note 1)	3/4" NPT			
	02	M16 x 2P (See note 1)	1/2" NPT			
	03	M16 x 2P (See note 1)	M20 x 1.5P			
	04	1/2" NPT	3/4" NPT			
	05	1/2" NPT	1/2" NPT			
	06	1/2" NPT	M20 x 1.5P			
	07	3/4" NPT	3/4" NPT			
	08	3/4" NPT	1/2" NPT			
	09	3/4" NPT	M20 x 1.5P			
	10	1/2" BSP	3/4" NPT			
	11	1/2" BSP	1/2" NPT			
	12	1/2" BSP	M20 x 1.5P			
	13	3/4" NPT	None			
	14	M20 x 1.5P	None			
	16	1/2" BSP	None			
	17	1/2" NPT	None			
	Code	Certification				
	NN	None				
	E1	ATEX / IECEx Explosion Proof Certified, NEMA 4X, IP68, T6				
	Code	Accessories				
	RC	Model 175RC Mounting Bracket (See note 1)				
	PM	Model 175PM Mounting Bracket (See note 1)				
	NR	Model 175NR Mounting Bracket				
	MM	Model 175MM Mounting Bracket				
	Code	2 Inch "U" Bolt with Nuts and Washers				
	00	None				
	01	Model 17508, 1 Set (For Model 175RC)				
	02	Model 17508, 2 Sets (For Model 175PM & 175NR)				
8080HN	A	02	E1	PM	02	Typical Model Number

Note:

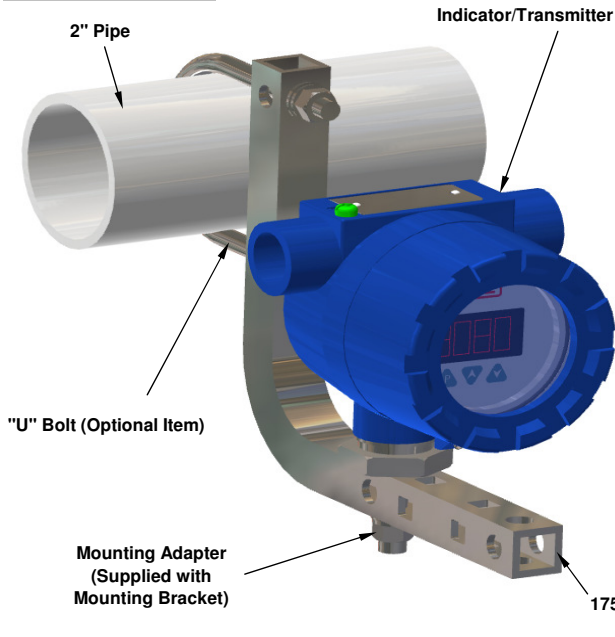
- Ports with M16 x 2P thread are not through holes, they are for use with Model 175RC and 175PM Mounting Brackets only.



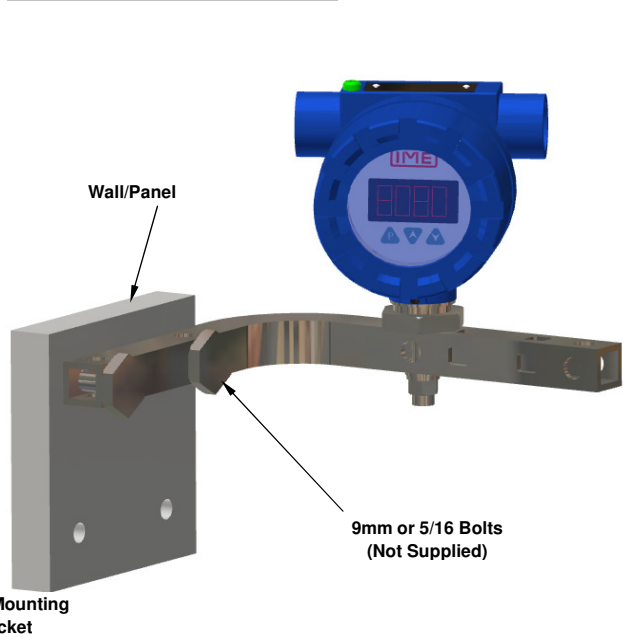
MOUNTING BRACKETS FOR INDICATORS AND TRANSMITTERS

Mounting Methods For Model 175RC

Pipe Mounting

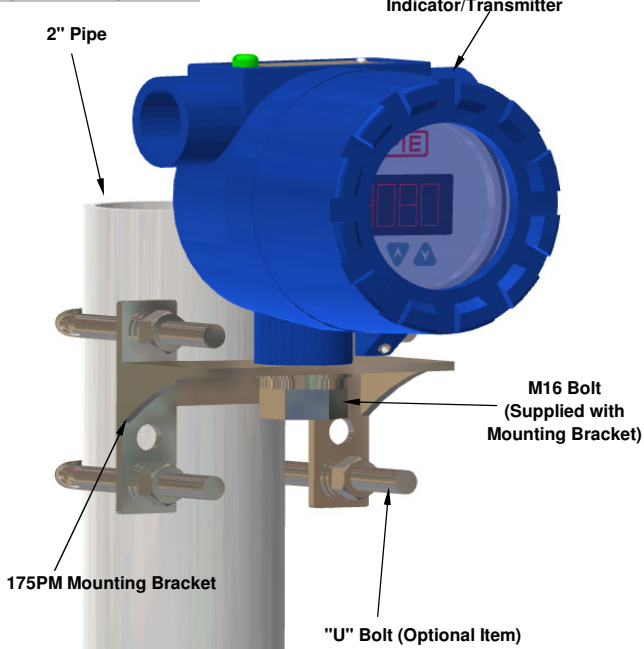


Wall / Panel Mounting

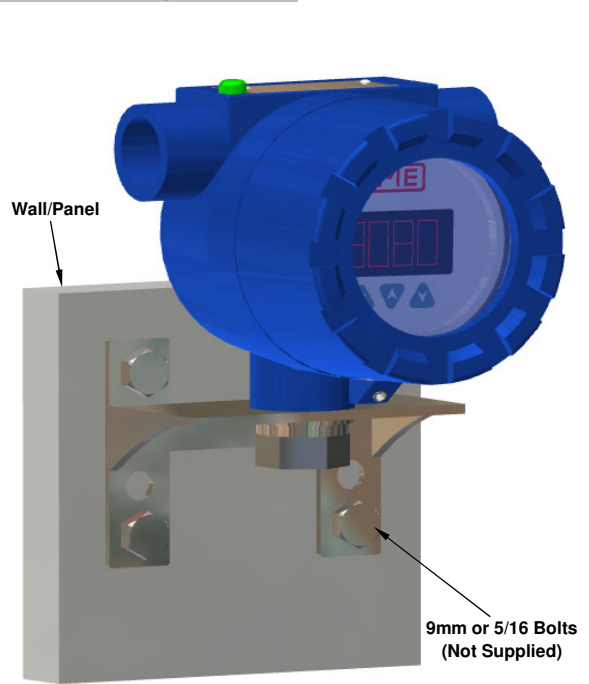


Mounting Methods For Model 175PM

Pipe Mounting



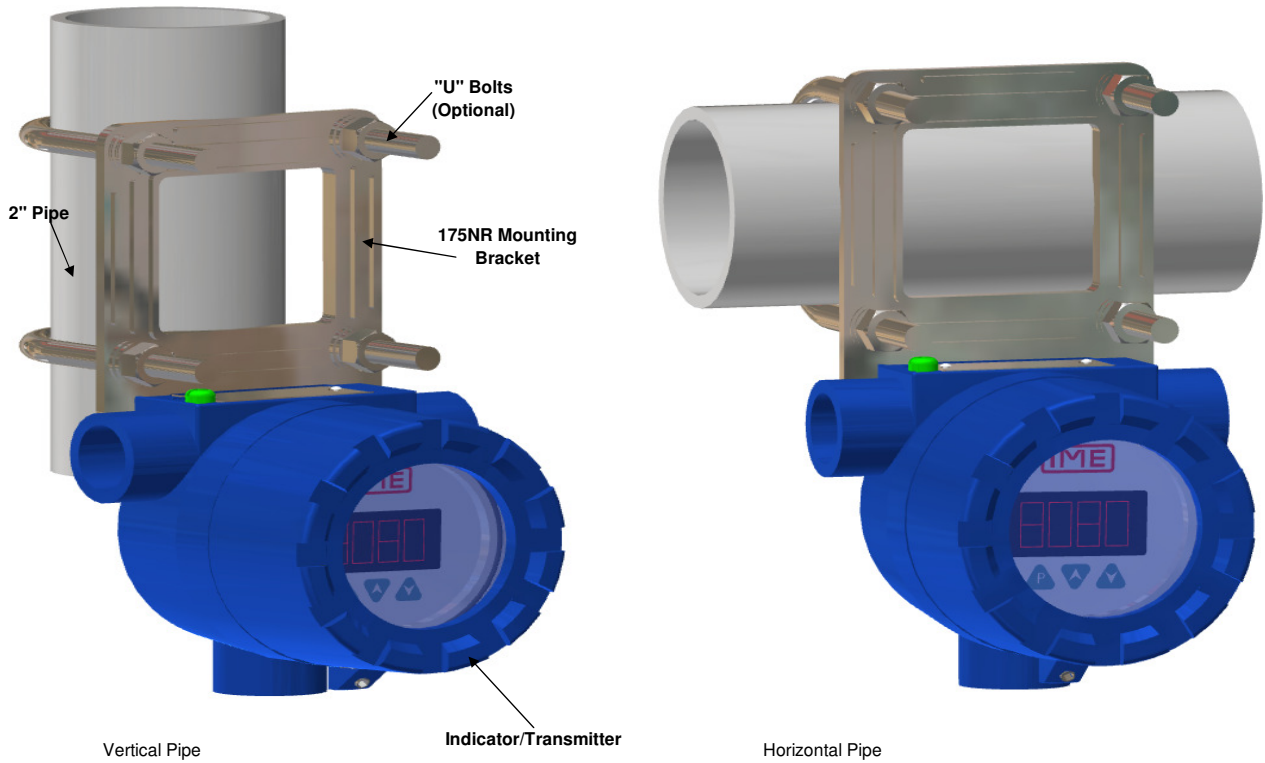
Wall / Panel Mounting



MOUNTING BRACKETS FOR INDICATORS AND TRANSMITTERS

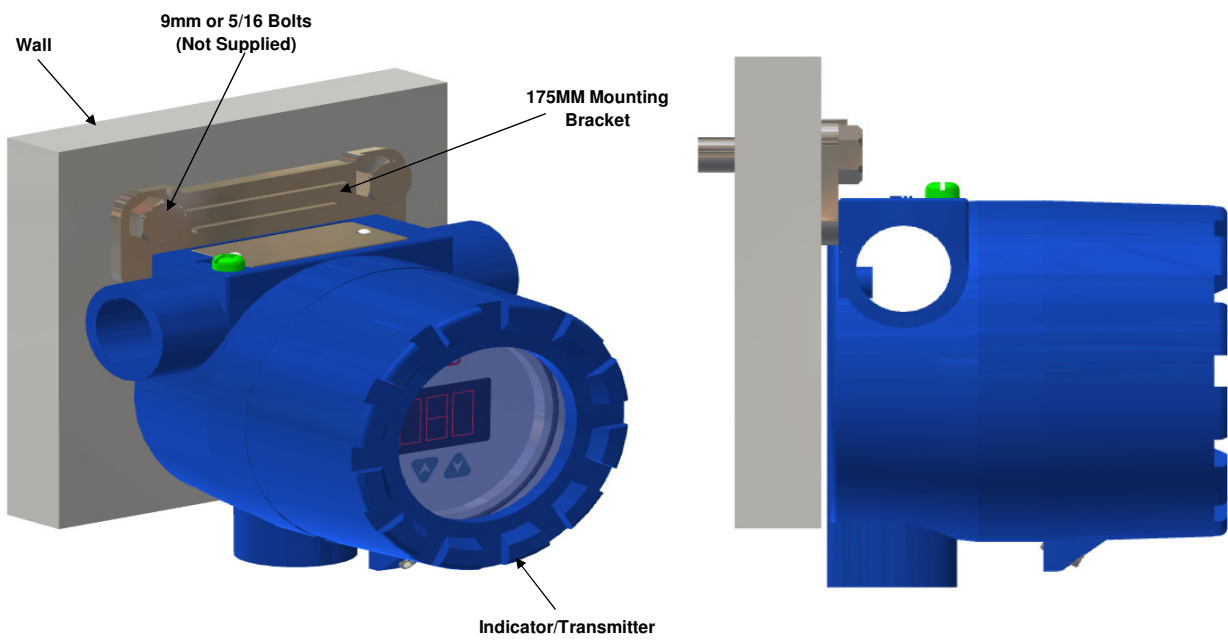
Mounting Methods For Model 175NR

Pipe Mounting



Mounting Methods For Model 175MM

Wall/Panel Mounting



Mounting Bracket

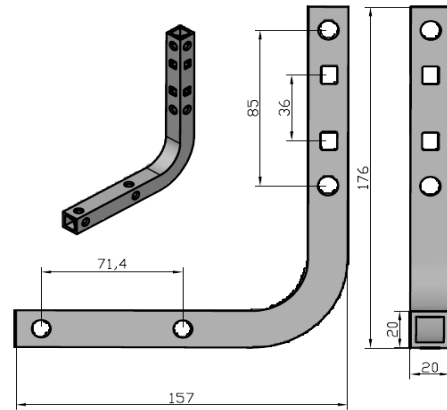
175RC

Introduction

This simple hollow square mounting bracket constructed out of SS316 Stainless Steel, can be used to mount a variety of field devices, either on a wall or panel or a 2" Pipe.

When mounting on a 2" pipe, a "U" Bolt is required, which can be supplied optionally.

IME Model 17508 consists of a complete assembly of a 2" U bolt along with the nuts and washers required.



Mounting Bracket

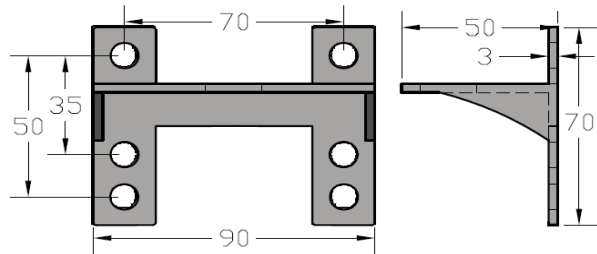
175PM

Introduction

This simple "L" Shape mounting bracket constructed out of SS316 Stainless Steel, can be used to mount a variety of field devices, either on a wall or panel or on a 2" pipe.

When mounting on a 2" pipe, a "U" Bolt is required, which can be supplied optionally.

IME Model 17508 consists of a complete assembly of a 2" U bolt along with the nuts and washers required.



Mounting Bracket

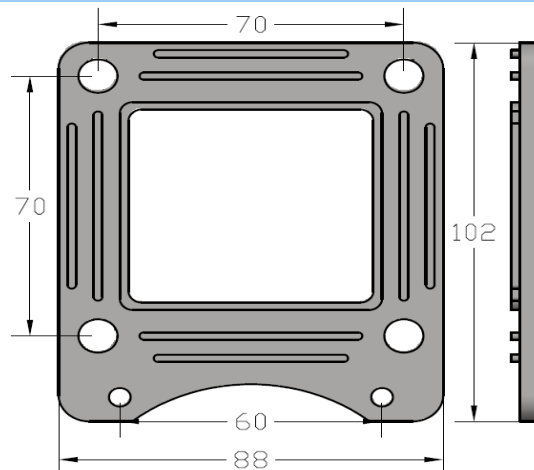
175NR

Introduction

IME MODEL 175NR is Stainless Steel Mounting Brackets made exclusively for IME MODEL 8080 Instrument Enclosure to mount on a 2" Pipe.

This Bracket is available for customers who require all 3 ports on the enclosure for other purposes.

The 175NR is symmetrical, so it can be rotated 90° to suit the viewing position of the Indicator/Transmitter.



Mounting Bracket

175MM

Introduction

IME MODEL 175MM is Stainless Steel Mounting Brackets made exclusively for IME MODEL 8080 Instrument Enclosure to mount on wall.

This low cost Bracket is available for customers who require all 3 ports on the enclosure for other purposes.

