

Spring Loaded Terminal Blocks

This family of large diameter (2.0" or 50mm) Terminal Blocks are fitted with an integral Spring, which spring loads the sensor without any soldering or crimping so it bottoms out perfectly into the Thermowell. The terminal block comes in both Ceramic and Bakelite bases, and has provisions for 2, 3, 4 or 6 Single Post Screw Terminals or Dual Screw Terminals. Four Mounting holes are provided so the terminal block can be mounted in Thermocouple Heads with 33mm or 40mm Center to Center mounting provisions.

The self gripping spring accommodates either a 1/4" diameter or 6mm diameter Sensor or MI Cable.
All mounting screws used are made of stainless steel.

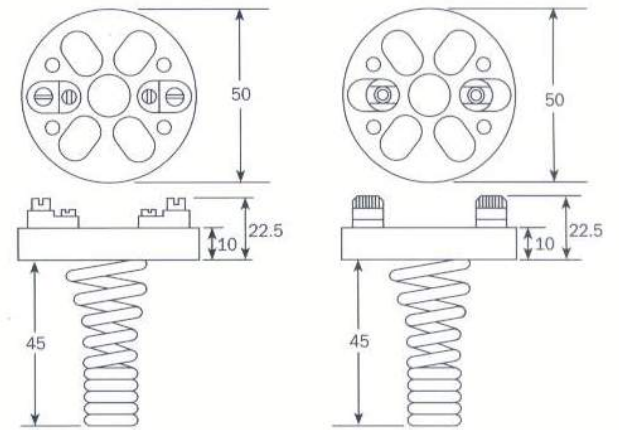
Model Number Configuration

Model	Description
8059	2.0" Ceramic Block, Dual Screw Terminals
8060	2.0" Ceramic Block, Single Post Terminals
8061	2.0" Bakelite Block, Dual Screw Terminals
8062	2.0" Bakelite Block, Single Post Terminals

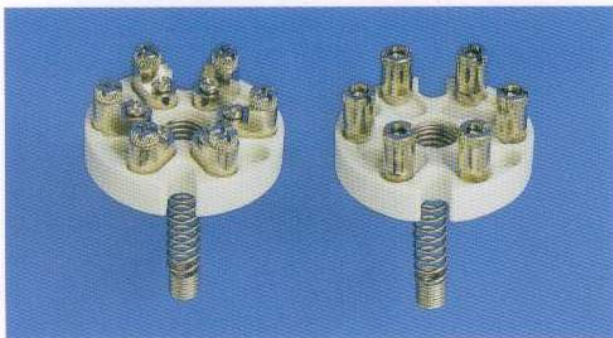
Code	Number of terminals
02	Two
03	Three
04	Four
06	Six

Code	Spring Size
EG	Suitable for 1/4" Diameter sensors or MI cables
MT	Suitable for 6 mm Diameter sensors or MI cables

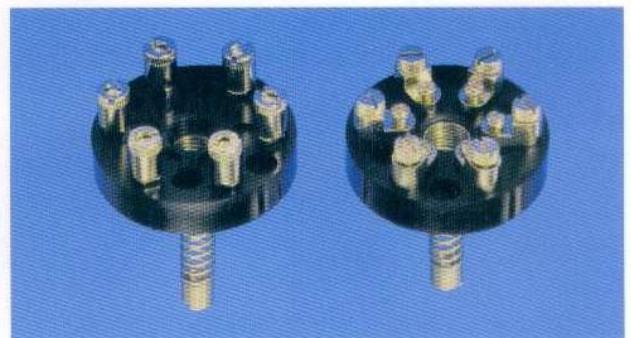
8059 04 EG ← Typical Model Number



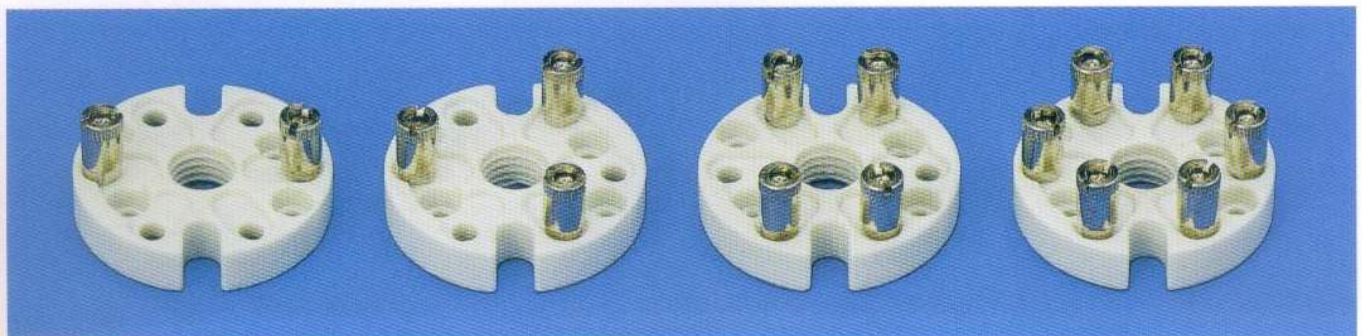
Model 8059 (Ceramic Base) Model 8060 (Ceramic Base)
 Model 8061 (Bakelite Base) Model 8062 (Bakelite Base)



8059-06 8060-06



8062-06 8061-06



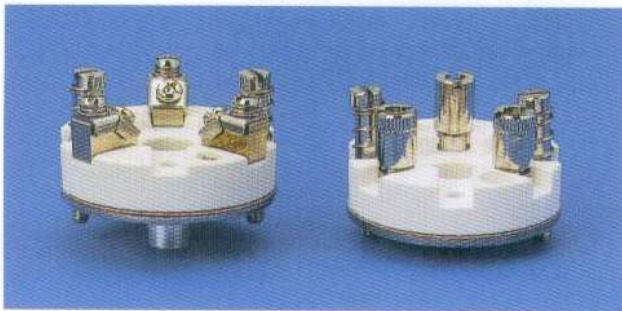
8060-02 8060-03 8060-04 8060-06

Spring Loaded, Din B Terminal Blocks

The Model 8055 Ceramic Block and the model 8088 Bakelite Block both meet the requirement of DIN B Terminal Blocks. They are 42mm in diameter and comes with a stainless steel mounting plate. Two spring loaded SS screws allow the block to be mounted in Thermocouple Heads with 33mm center to center mounting provisions. As an option, a crimp tube is provided integral to the mounting plate which allows the sensor or MI cable to be crimped in place, eliminating the need for brazing or soldering. The crimp tube accommodates both English and Metric sizes of sensors and cables (1/8", 3/16", 1/4", 3/8, 6mm and 8mm). The spring is also made of SS wire to resist corrosion.

The 8055 and 8088 can be provided with either 2, 3, 4 or 6 Single Post or Dual Screw Terminals.

All mounting screws used are made of stainless steel.



8055B4DS03

8055NASP03

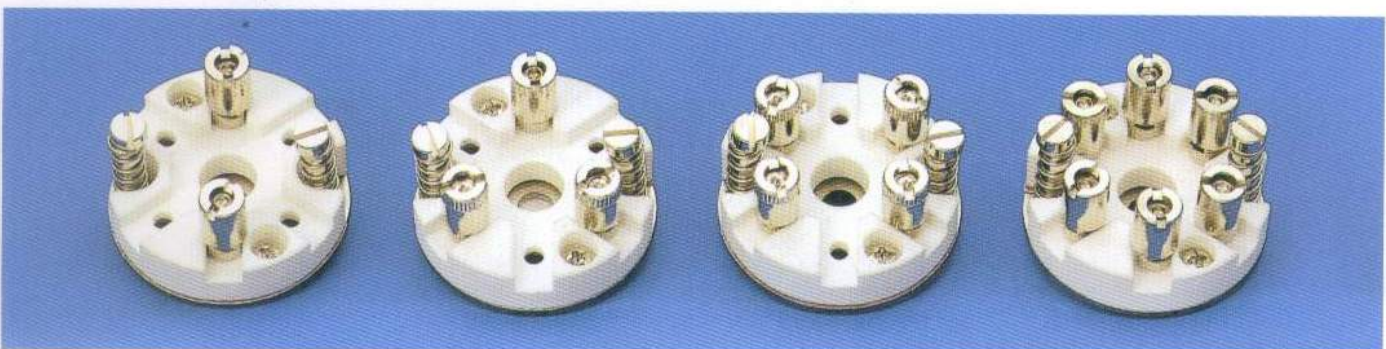
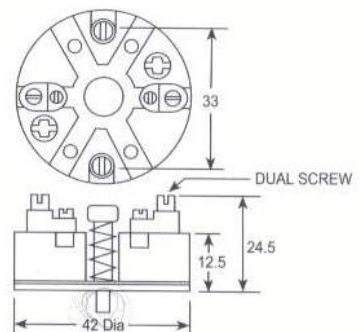
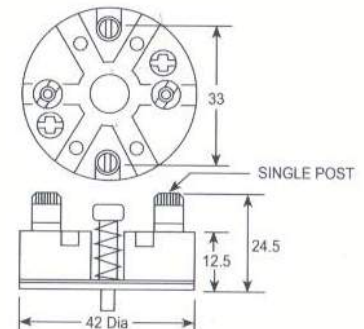


8088B4DS03

8088NASP03

Model Number Configuration

Model	Description				
8055	Din Sized	Ceramic Block, Screws and Mounting Plate			
8088	Din Sized	Bakelite Block, Screws and Mounting Plate			
	Code	Crimp Tube Size			
	NA	None Provided			
	B2	Suitable for 1/8" Diameter Sensor or MI Cable			
	B3	Suitable for 3/16" Diameter Sensor or MI Cable			
	B4	Suitable for 1/4" Diameter Sensor or MI Cable			
	B6	Suitable for 3/8" Diameter Sensor or MI Cable			
	M6	Suitable for 6 mm Diameter Sensor or MI Cable			
	Code	Type of Terminal			
	SP	Single Post			
	DS	Dual Screw			
	Code	Number of Terminals			
	02	Two			
	03	Three			
	04	Four			
	06	Six			
	Code	Solder Pads			
	0	Without Solder pads			
	1	With Solder Pads			
8088	NA	SP	06	0	← Typical Model Number



8055NASP02

8055NASP03

8055NASP04

8055NASP06